

75. SEG

50 Hz/ 60 Hz / 60 Hz US

Impeller - 50 Hz

| Pos. | Description | SEG.40 | | | | | | SEG.50 | | | |
|--------|----------------|------------|----------|----------|----------|----------|----------|----------|----------|----------|---|
| | | 0.9 kW | 1.2 kW | 1.5 kW | 2.6 kW | 3.1 kW | 4.0 kW | 2.6 kW | 3.1 kW | 4.0 kW | |
| Kit No | | 96076115 | 96076116 | 96076117 | 96076118 | 96076119 | 96076120 | 99346032 | 99346046 | 99346048 | |
| 9a | Key | 5 x 5 x 12 | 1 | 1 | 1 | - | - | - | - | - | - |
| | | 6 x 6 x 14 | - | - | - | 1 | 1 | 1 | 1 | 1 | 1 |
| 49 | Impeller | 1 | 1 | 1 | 1 | 1 | 1 | 1 | 1 | 1 | |
| 66 | Locking ring | 1 | 1 | 1 | 1 | 1 | 1 | 1 | 1 | 1 | |
| 68 | Adjustment nut | 1 | 1 | 1 | 1 | 1 | 1 | 1 | 1 | 1 | |
| 188a | Screw | 1 | 1 | 1 | 1 | 1 | 1 | 1 | 1 | 1 | |

Impeller - 60 Hz

| Pos. | Description | SEG.(K)40 | | | | | | SEG.(K)50 | | | |
|--------|----------------|------------|----------|----------|----------|----------|----------|-----------|----------|----------|---|
| | | 0.9 kW | 1.2 kW | 1.5 kW | 2.6 kW | 3.1 kW | 4.0 kW | 2.6 kW | 3.1 kW | 4.0 kW | |
| Kit No | | 98453205 | 98453203 | 98453192 | 98453178 | 98453177 | 98453174 | 98453206 | 98453179 | 98453172 | |
| 9a | Key | 5 x 5 x 12 | 1 | 1 | 1 | - | - | - | - | - | - |
| | | 6 x 6 x 14 | - | - | - | 1 | 1 | 1 | 1 | 1 | 1 |
| 49 | Impeller | 1 | 1 | 1 | 1 | 1 | 1 | 1 | 1 | 1 | |
| 66 | Locking ring | 1 | 1 | 1 | 1 | 1 | 1 | 1 | 1 | 1 | |
| 68 | Adjustment nut | 1 | 1 | 1 | 1 | 1 | 1 | 1 | 1 | 1 | |
| 188a | Screw | 1 | 1 | 1 | 1 | 1 | 1 | 1 | 1 | 1 | |

Impeller - 60 Hz US

| Pos. | Description | SEG.A15 | | | | SEG.A20 | | | |
|--------|----------------|------------|----------|----------|----------|----------|----------|----------|---|
| | | 2.0 hp | 3.0 hp | 4.0 hp | 5.5 hp | 3.0 hp | 4.0 hp | 5.5 hp | |
| Kit No | | 98453192 | 98588986 | 98453177 | 98453174 | 98453191 | 98453179 | 98453172 | |
| 9a | Key | 5 x 5 x 12 | 1 | - | - | - | - | - | - |
| | | 6 x 6 x 14 | - | 1 | 1 | 1 | 1 | 1 | 1 |
| 49 | Impeller | 1 | 1 | 1 | 1 | 1 | 1 | 1 | |
| 66 | Locking ring | 1 | 1 | 1 | 1 | 1 | 1 | 1 | |
| 68 | Adjustment nut | 1 | 1 | 1 | 1 | 1 | 1 | 1 | |
| 188a | Screw | 1 | 1 | 1 | 1 | 1 | 1 | 1 | |

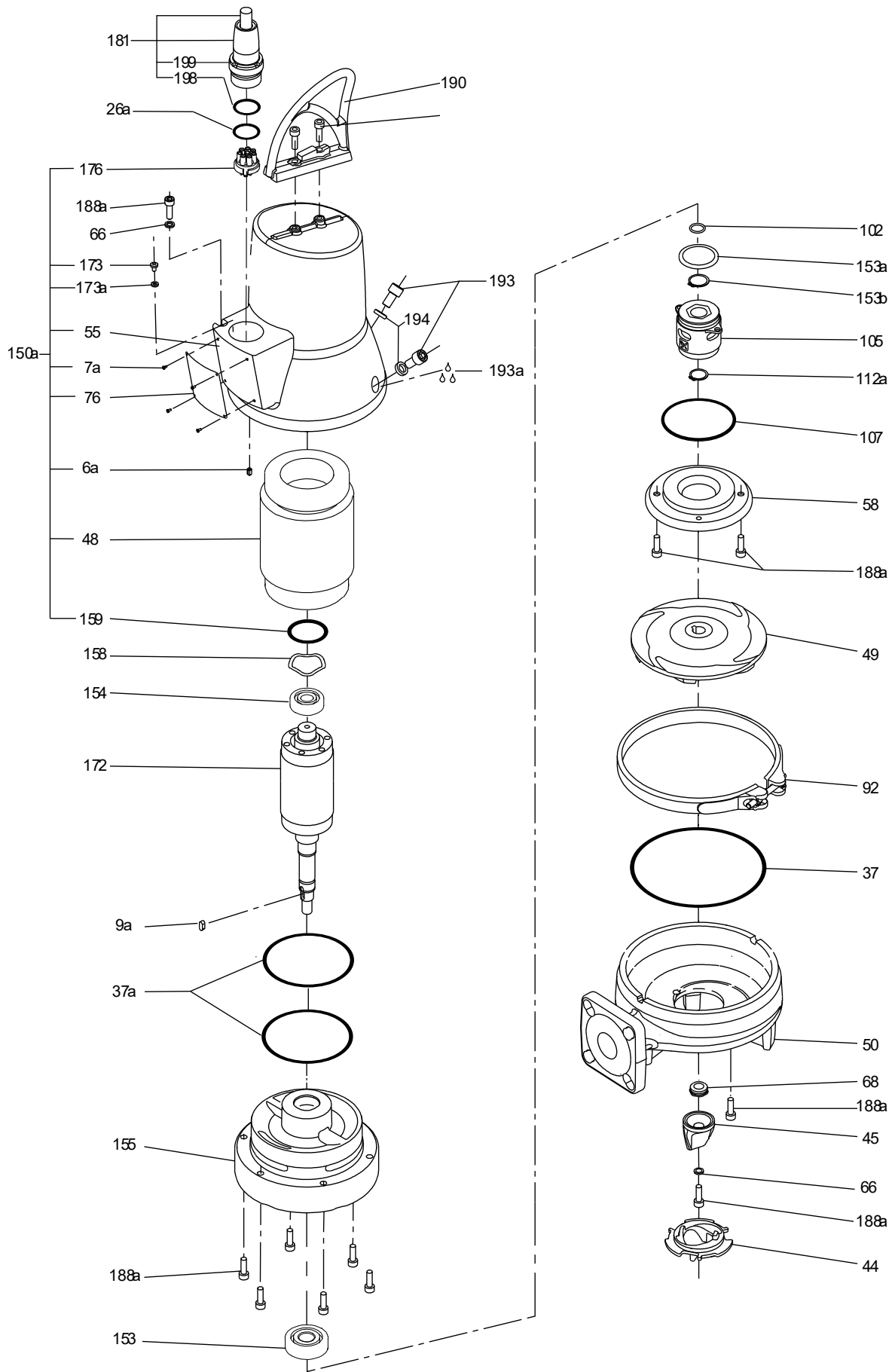
O-ring

| Pos. | Description | | 0.9 - 1.5 kW / 2.0 hp | | 2.6 - 4.0 kW / 3.0 - 5.5 hp | |
|------|---------------------|-------------|-----------------------|----------|-----------------------------|----------|
| | | | NBR | FKM | NBR | FKM |
| | | | 96076124 | 96646061 | 96076125 | 96646062 |
| 16 | O-ring | 34.2 x 3.0 | 1 | - | 1 | 1 |
| 26a | O-ring | 32.0 x 4.0 | 1 | 1 | 1 | 1 |
| 37 | O-ring | 164.5 x 3.0 | 1 | 1 | - | - |
| | | 204.0 x 3.0 | - | - | 1 | 1 |
| 37a | O-ring | 114.0 x 3.0 | 2 | 2 | - | 2 |
| | | 144.3 x 5.7 | - | - | 2 | 2 |
| 90b | O-ring | 180.0 x 2.0 | - | 1 | - | 1 |
| 102 | O-ring | 16.0 x 1.5 | 1 | 1 | - | - |
| | | 17.3 x 2.4 | - | - | 1 | 1 |
| 107 | O-ring | 47.0 x 3.0 | 1 | 1 | - | - |
| | | 50.0 x 3.0 | - | - | 1 | - |
| | | 90.0 x 4.0 | - | - | - | 1 |
| 108 | O-ring | 50.0 x 3.0 | 1 | 1 | 2 | 2 |
| 153b | O-ring | 28.0 x 2.0 | 1 | 1 | - | 1 |
| 159 | O-ring | 32.0 x 2.0 | 1 | 1 | - | - |
| | | 37.0 x 2.0 | 1 | 1 | - | - |
| | | 52.0 x 3.0 | - | - | 1 | 1 |
| 185 | O-ring | 31.0 x 2.0 | 1 | - | 1 | - |
| 194 | Sealing washer | | 2 | 2 | 2 | 2 |
| 198 | O-ring | 34.2 x 3.0 | - | 1 | - | 1 |
| - | Bush for shaft seal | | 1 | 1 | - | - |

Sphere for hook-up - 50 Hz

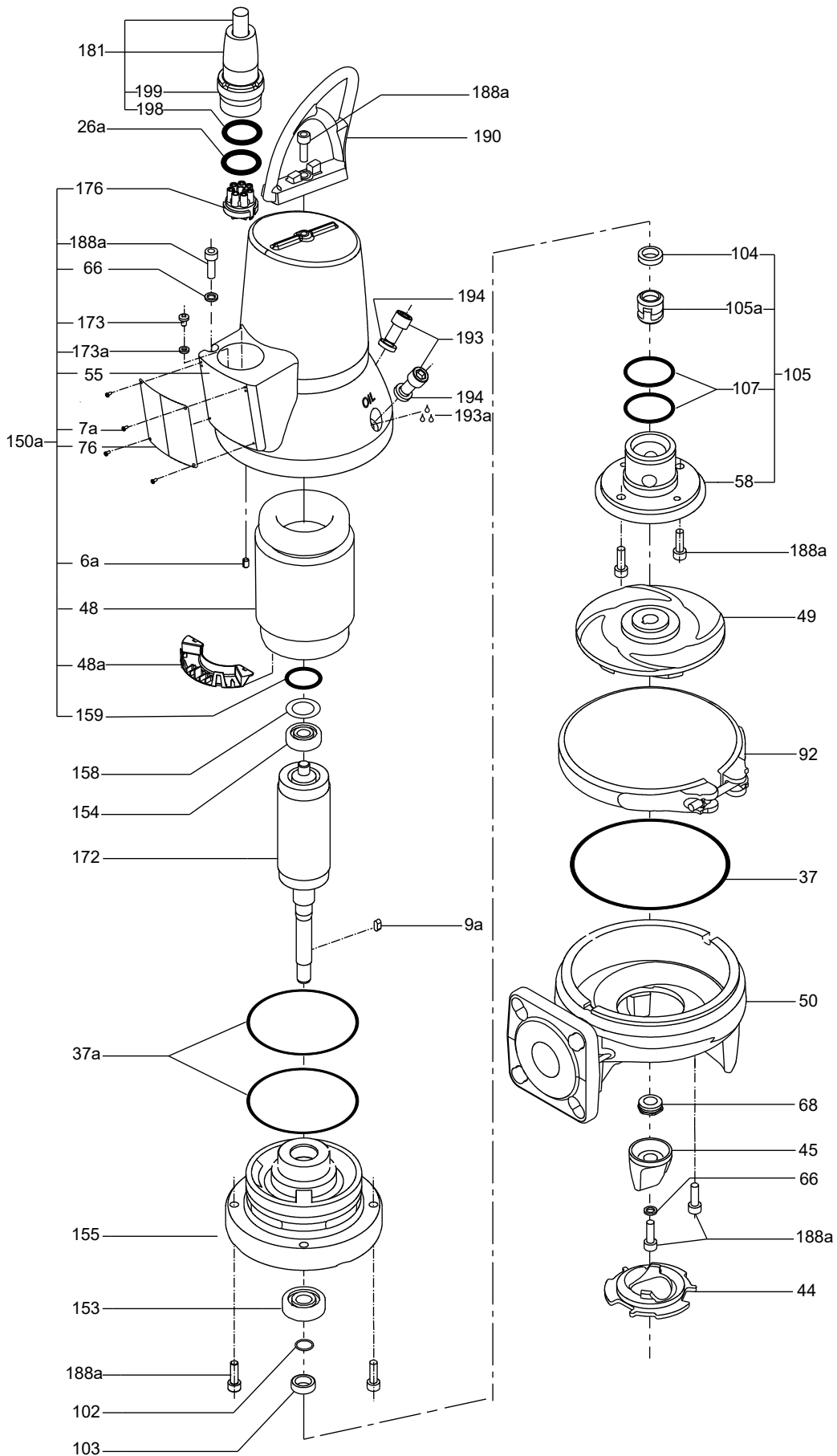
| Pos. | Description | | DN 40 / Rp 1 1/2 | | DN 50 / Rp 2 | |
|------|--------------------|--|------------------|----------|--------------|----------|
| | | | NBR | FKM | NBR | FKM |
| | | | 96592033 | 96657776 | 96592034 | 96657778 |
| - | Sphere for hook-up | | 1 | 1 | 1 | 1 |

2.6 to 4.0 kW / 3.0 to 5.5 hp



TM065759

Up to 1.5 kW / 2.0 hp



TM065739

Shaft seal

| Pos. | Description | SEG.(K)40 | | SEG.(K)50 | | SEG.A15 | | SEG.A20 | | |
|------|----------------------|-------------|------------|------------|------------|----------|------------|----------|------------|---|
| | | 0.9-1.5 kW | 2.6-4.0 kW | 0.9-1.5 kW | 2.6-4.0 kW | 2.0 hp | 3.0-5.5 hp | 2.0 hp | 3.0-5.5 hp | |
| | | NBR | FKM | NBR | FKM | NBR | FKM | NBR | FKM | |
| | Kit No | 96076122 | 96645160 | 96076123 | 96645275 | 96076122 | 96645160 | 96076123 | 96645275 | |
| 9a | Key | 5 x 5 x 12 | 1 | 1 | - | - | 1 | 1 | - | - |
| | | 6 x 6 x 14 | - | - | 1 | 1 | - | - | 1 | 1 |
| 37 | O-ring | 164.5 x 3.0 | 1 | 1 | - | - | 1 | 1 | - | - |
| | | 204.0 x 3.0 | - | - | 1 | 1 | - | - | 1 | 1 |
| 58 | Shaft seal retainer | 1 | - | - | - | 1 | - | - | - | |
| 66 | Lock washer | 1 | 1 | 1 | 1 | 1 | 1 | 1 | 1 | |
| 102 | O-ring | 16.0 x 1.5 | 1 | 1 | - | - | 1 | 1 | - | - |
| | | 17.3 x 2.4 | - | - | 1 | 1 | - | - | 1 | 1 |
| 103 | Bush for seal ring | 1 | 1 | - | - | 1 | 1 | - | - | |
| 104 | Seal ring | 1 | - | - | - | 1 | - | - | - | |
| 105 | Shaft seal cartridge | 1 | 1 | 1 | 1 | 1 | 1 | 1 | 1 | |
| 107 | O-ring | 47.0 x 3.0 | 2 | - | - | - | 2 | - | - | |
| | | 90.0 x 4.0 | - | - | 1 | 1 | - | - | 1 | 1 |
| 112a | Retaining ring | - | - | 1 | 1 | - | - | 1 | 1 | |
| 188a | Screw | 1 | 1 | 1 | 1 | 1 | 1 | 1 | 1 | |
| 194 | Sealing washer | 2 | 2 | 2 | 2 | 2 | 2 | 2 | 2 | |
| - | Bush for shaft seal | 1 | 1 | - | - | 1 | 1 | - | - | |

Grinder

| Pos. | Description | SEG.(K)40 | | SEG.(K)50 | SEG.A15 | | SEG.20 |
|------|--------------|-----------|------------|------------|----------|------------|----------|
| | | standard | heavy duty | heavy duty | standard | heavy duty | standard |
| | | Kit No | 96076121 | 96903344 | 98453210 | 96076121 | 96903344 |
| 44 | Grinder ring | 1 | 1 | 1 | 1 | 1 | 1 |
| 45 | Grinder head | 1 | 1 | 1 | 1 | 1 | 1 |
| 66 | Lock washer | 1 | 1 | 1 | 1 | 1 | 1 |
| 188a | Screw | 1 | 1 | 1 | 1 | 1 | 1 |

Cable - 50 Hz

| Pos. | Description | Length | 10 m | | 15 m | | 20 m | | 25 m | |
|------|-------------|--------|----------|----------|----------|----------|----------|----------|----------|----------|
| | | | Standard | Ex | Standard | Ex | Standard | Ex | Standard | Ex |
| | | Type | 96591649 | 96689976 | 96659473 | 96689977 | 96591660 | 96689978 | 96689953 | 96689979 |
| 181 | Cable | | | | | | | | | |

Cable - 60 Hz

| Pos. | Description | SEG.(K)40/50 | | | | SEG.A15/20 | | | |
|------|-------------|--------------|----------|----------|----------|------------|----------|----------|----------|
| | | 10 m | 15 m | 20 m | 25 m | 33 ft | 49 ft | 66ft | 82 ft |
| | | 97634728 | 97634909 | 97634910 | 97634911 | 97634728 | 97634909 | 97634910 | 97634911 |
| 181 | Cable | | | | | | | | |

Cable plug

| Pos. | Description | Type size | Connection | Kit No |
|------|---------------------------|---------------------|------------|----------|
| 176 | Plug for power connection | 0.9-1.5 kW / 2.0 hp | Y | 96747254 |
| | | 2.6 kW / 3.0 hp | - | 96747255 |
| | | 0.9-1.5 kW / 2.0 hp | D | 96747257 |
| | | 0.9-1.2 kW | 1-phase | 96747258 |

Lifting bracket

| Pos. | Description | 0.9 - 1.5 kW | 2.6 - 4.0 kW | 2.0 hp | 3.0 - 5.5 hp |
|------|-----------------|--------------|--------------|--------|--------------|
| | | Kit No | Kit No | Kit No | Kit No |
| 188a | Screw | 1 | 1 | 1 | 1 |
| 190 | Lifting bracket | 1 | 1 | 1 | 1 |

Shaft with rotor - 50 Hz

High flow variants only.

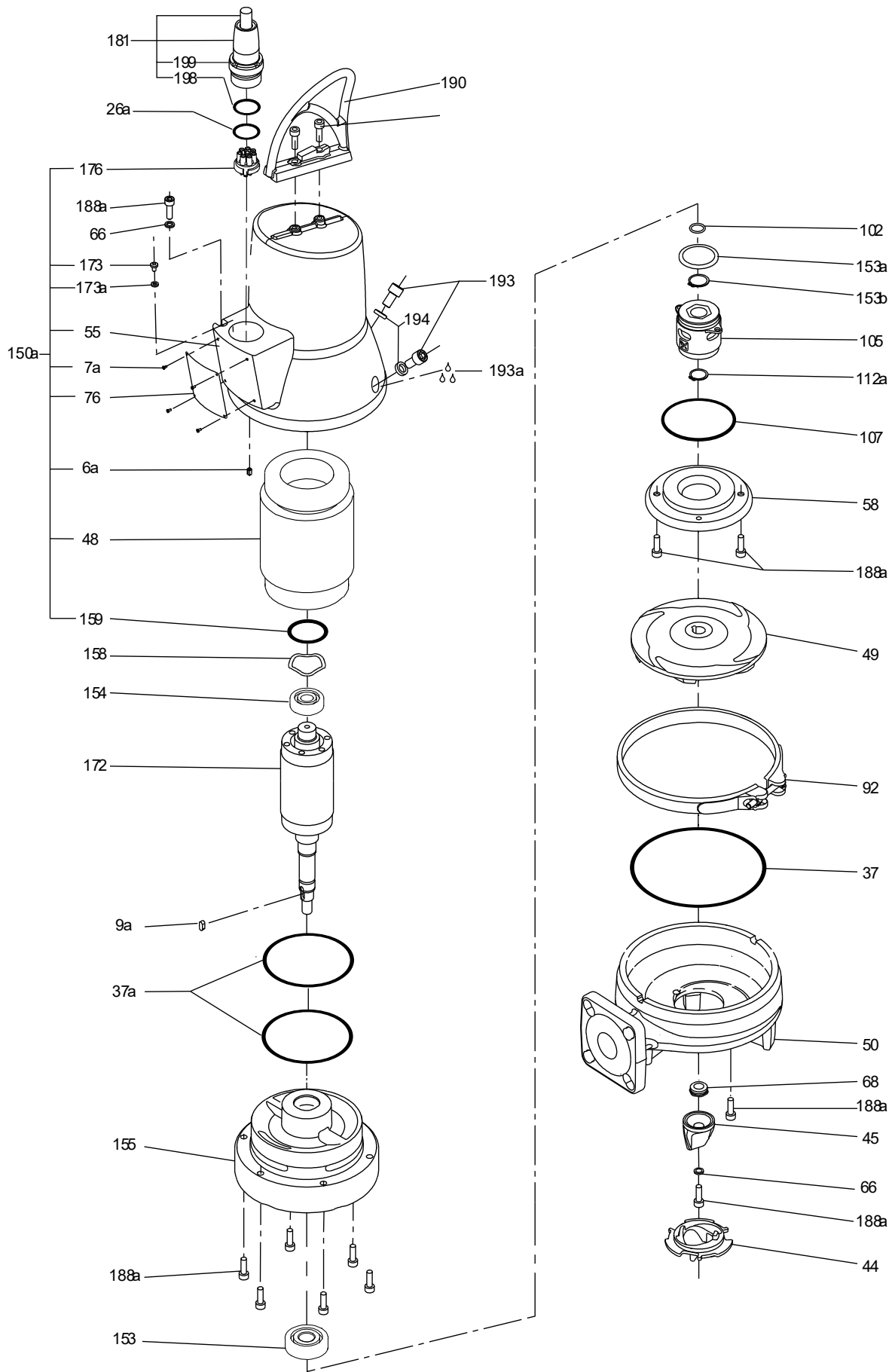
| Pos. | Description | 2.6 kW | | 3.1 - 4.0 kW | |
|------|------------------|----------|--------|--------------|--------|
| | | standard | Ex | standard | Ex |
| | | Kit No | Kit No | Kit No | Kit No |
| 172 | Shaft with rotor | 1 | 1 | 1 | 1 |

Shaft seal carrier- 50 Hz

High flow variants only.

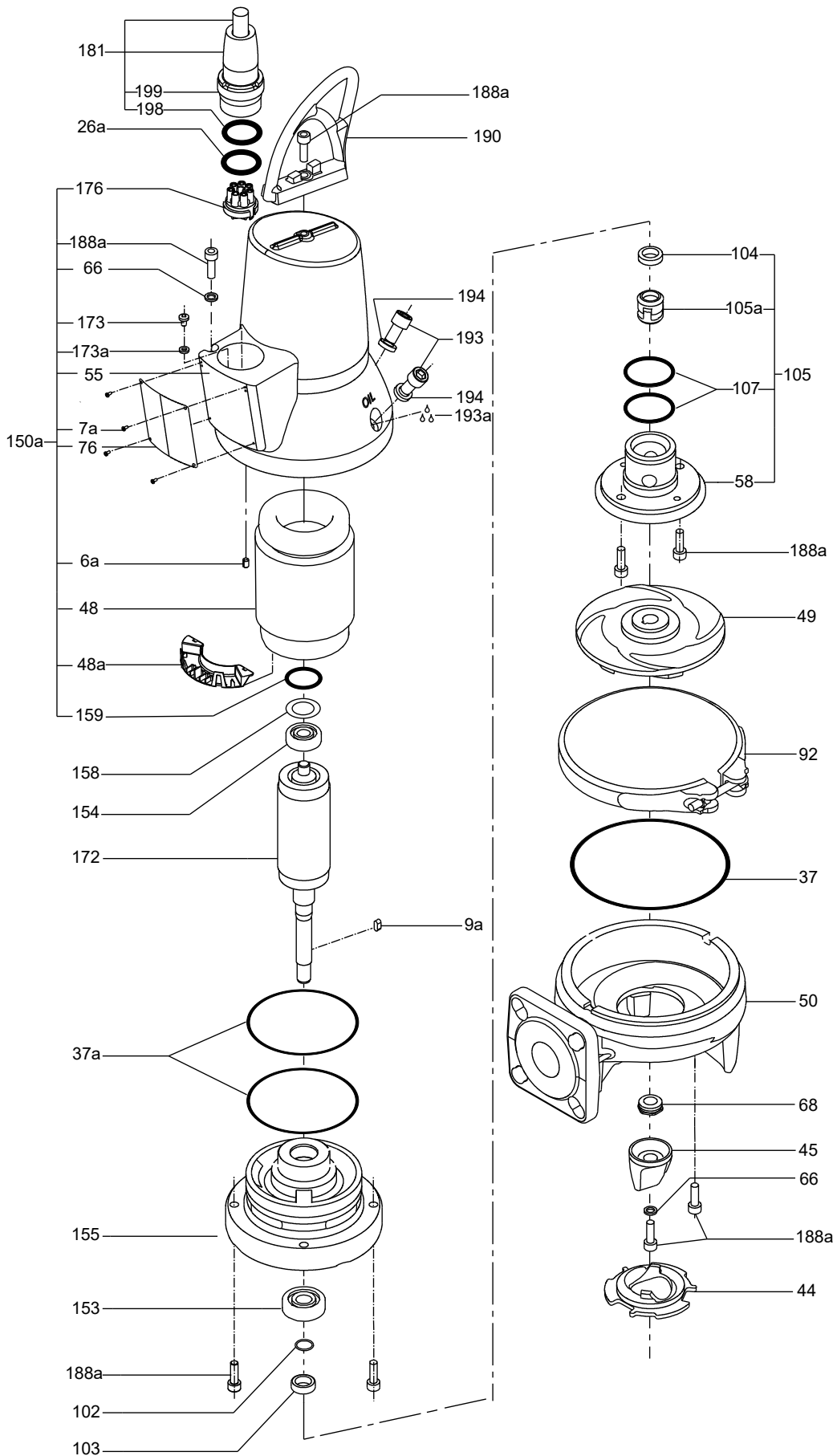
| Pos. | Description/Kit No | 99346051 |
|------|--------------------|----------|
| 58 | Shaft seal carrier | 1 |

2.6 to 4.0 kW / 3.0 to 5.5 hp



TM065759

Up to 1.5 kW / 2.0 hp



TM065739

Bearings

| Pos. | Description | 50 Hz | | 60 Hz | | 60 Hz US | |
|------|-----------------|--------------------------|--------------------------|--------------------------|--------------------------|--------------------------|--------------------------|
| | | 0.9 - 1.5 kW | 2.6 - 4.0 kW | 0.9 - 1.5 kW | 2.6 - 4.0 kW | 2.0 hp | 3.0 - 5.5 hp |
| | | Kit No | | Kit No | | Kit No | |
| | | 98682341 | 96690710 | 96690709 | 96690710 | 96690709 | 96690710 |
| 153 | Bearing (lower) | 1 | 1 | 1 | 1 | 1 | 1 |
| 153b | Retaining ring | - | 1 | - | 1 | - | - |
| 154 | Bearing (upper) | 1 | 1 | 1 | 1 | 1 | 1 |

Pump housing - 60 Hz

| Pos. | Description | SEG.40 | | SEG.50 | SEG.K40 | | SEG.K50 | SEG.A15 | | SEG.A20 |
|------|--------------|--------------------------|--------------------------|--------------------------|--------------------------|--------------------------|--------------------------|--------------------------|--------------------------|--------------------------|
| | | 0.9 - 1.5 kW | 2.6 - 4.0 kW | 2.6 - 4.0 kW | 0.9 - 1.5 kW | 2.6 - 4.0 kW | 2.6 - 4.0 kW | 2.0 hp | 3.0 - 5.5 hp | 3.0 - 5.5 hp |
| | | Kit No | | Kit No | | Kit No | | Kit No | | Kit No |
| | | 98453277 | 98453280 | 98453300 | 98453296 | 98453299 | 98453291 | 98453278 | 98453298 | 98453291 |
| 50 | Pump housing | 1 | 1 | 1 | 1 | 1 | 1 | 1 | 1 | 1 |

Pump housing - 50 Hz

| Pos. | Description | SEG.50 | |
|------|--------------|--------------------------|--|
| | | 2.6 - 4.0 kW | |
| | | Kit No | |
| | | 99346023 | |
| 50 | Pump housing | 1 | |

Clamp

| Pos. | Description | 0.9 - 1.5 kW | 2.6 - 4.0 kW |
|------|----------------|--------------------------|--------------------------|
| | | 2.0 hp | 3.0 - 5.5 hp |
| | | Kit No | |
| | | 96592050 | 96592054 |
| 92 | Clamp complete | 1 | 1 |

Guide claw - 50 Hz

| Pos. | Description | DN 40 | |
|------|----------------------------|--------------------------|--------------------------|
| | | NBR | FKM |
| | | Kit No | |
| | | 96592055 | 96659162 |
| - | Rubber seal for guide shoe | 1 | 1 |
| - | Guide shoe | 1 | 1 |

SmartSeal - 50 Hz

| Pos. | Description | DN 40 | |
|------|--------------------------|--------------------------|--------------------------|
| | | NBR | FKM |
| | | Kit No | |
| | | 96592036 | 96659159 |
| - | SmartSeal for guide claw | 1 | 1 |

Upper guide rail holder - 50 Hz

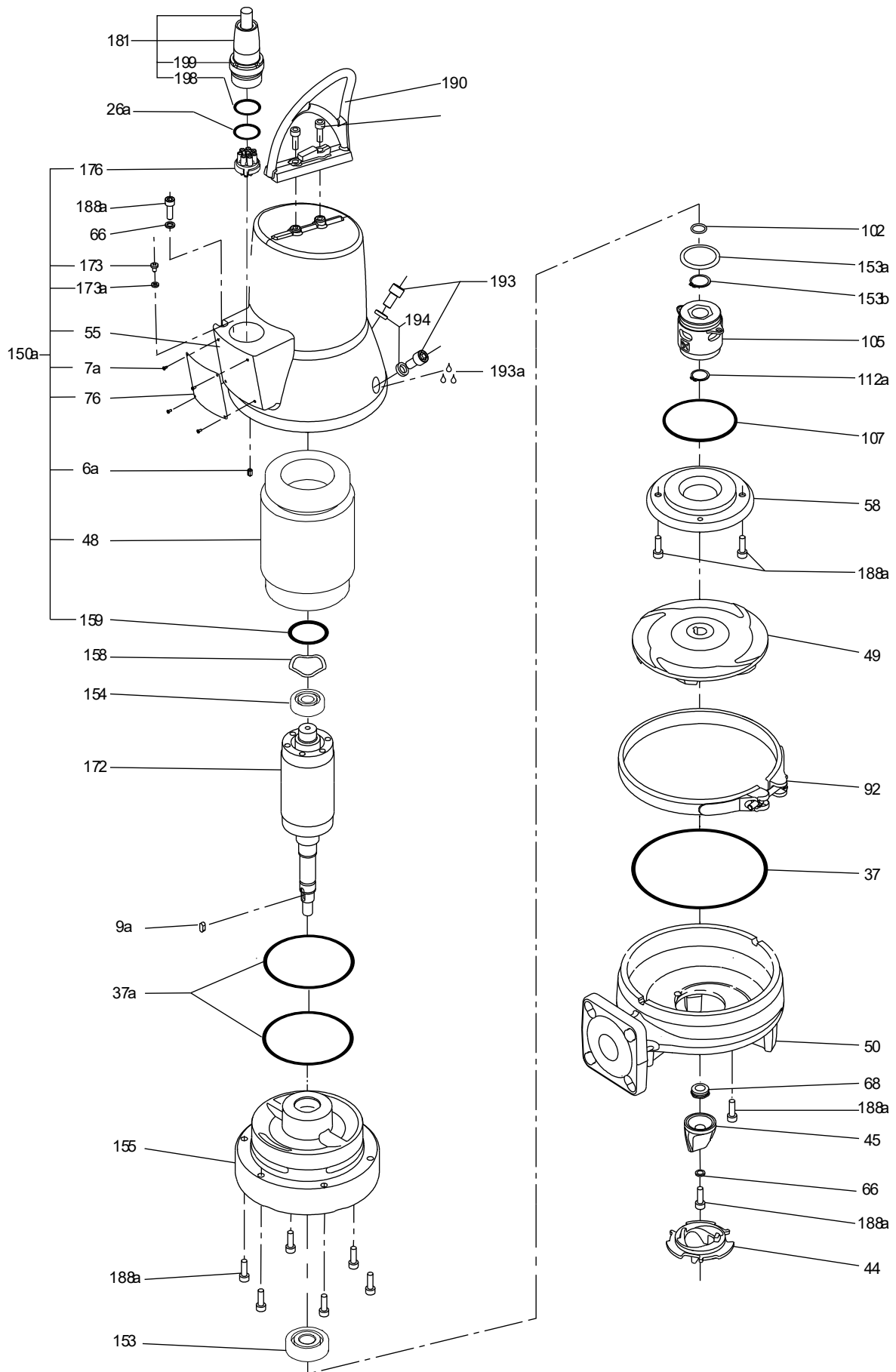
| Pos. | Description | DN 40 |
|------|------------------------------|--------------------------|
| | | Kit No |
| | | 96829356 |
| - | Upper guide rail holder 3/4" | 1 |
| - | Rubber tube (20-9-35) | 2 |
| - | Rubber tube (26-9-35) | 2 |
| - | Screw | 2 |
| - | Washer | 2 |
| - | Nut | 2 |

Stator with housing - 60 Hz

| SEG.(K)40 / SEG.A15 | | 0.9 - 1.5 kW / 2.0 hp | | | | 2.6 kW / 3.0 hp | | | 3.1 - 4.0 kW / 4.0 - 5.5 hp | | | |
|---------------------|-----------------------------|-----------------------|-----------|----------|----------|-----------------|----------|----------|-----------------------------|----------|----------|-----------|
| Pos. | Description | DIN | 208-230 V | 380 V | 460 V | 200-230 V | 380 V | 460 V | 200-230 V | 380 V | 460 V | 200-230 V |
| | | | 98451891 | 98451893 | 98451884 | 98451878 | 98451898 | 98451885 | 98451879 | 98451904 | 98451887 | 98451880 |
| | | US | 208-230 V | 460 V | 575 V | 200-230 V | 460 V | 575 V | 200-230 V | 460 V | 575 V | 200-230 V |
| | | | 98451882 | 98451884 | 98451881 | 98451878 | 98451885 | 98451886 | 98451879 | 98451887 | 98451888 | 98451880 |
| 6a | Spring pin | | 1 | 1 | 1 | 1 | 1 | 1 | 1 | 1 | 1 | 1 |
| 48 | Stator | | 1 | 1 | 1 | 1 | 1 | 1 | 1 | 1 | 1 | 1 |
| 48a | Cover for stator connection | | 1 | 1 | 1 | 1 | - | - | - | - | - | - |
| 55 | Stator housing | | 1 | 1 | 1 | 1 | 1 | 1 | 1 | 1 | 1 | 1 |
| 159 | O-ring NBR | 37.0 x 2.0 | 1 | 1 | 1 | 1 | - | - | - | - | - | - |
| | | 52.0 x 3.0 | - | - | - | - | 1 | 1 | 1 | 1 | 1 | 1 |
| 173 | Screw | | 1 | 1 | 1 | 1 | 1 | 1 | 1 | 1 | 1 | 1 |
| 173a | Lock washer | | 1 | 1 | 1 | 1 | 1 | 1 | 1 | 1 | 1 | 1 |
| 176 | Cable plug | | 1 | 1 | 1 | 1 | 1 | 1 | 1 | 1 | 1 | 1 |
| 1031 | Connector pin | | - | - | - | - | 6 | 6 | 6 | 6 | 6 | 6 |
| - | Short circuit bridge | | - | 1 | 1 | - | - | - | - | - | - | - |
| - | Cover against sharp edges | | - | - | - | - | 1 | 1 | 1 | 1 | 1 | 1 |

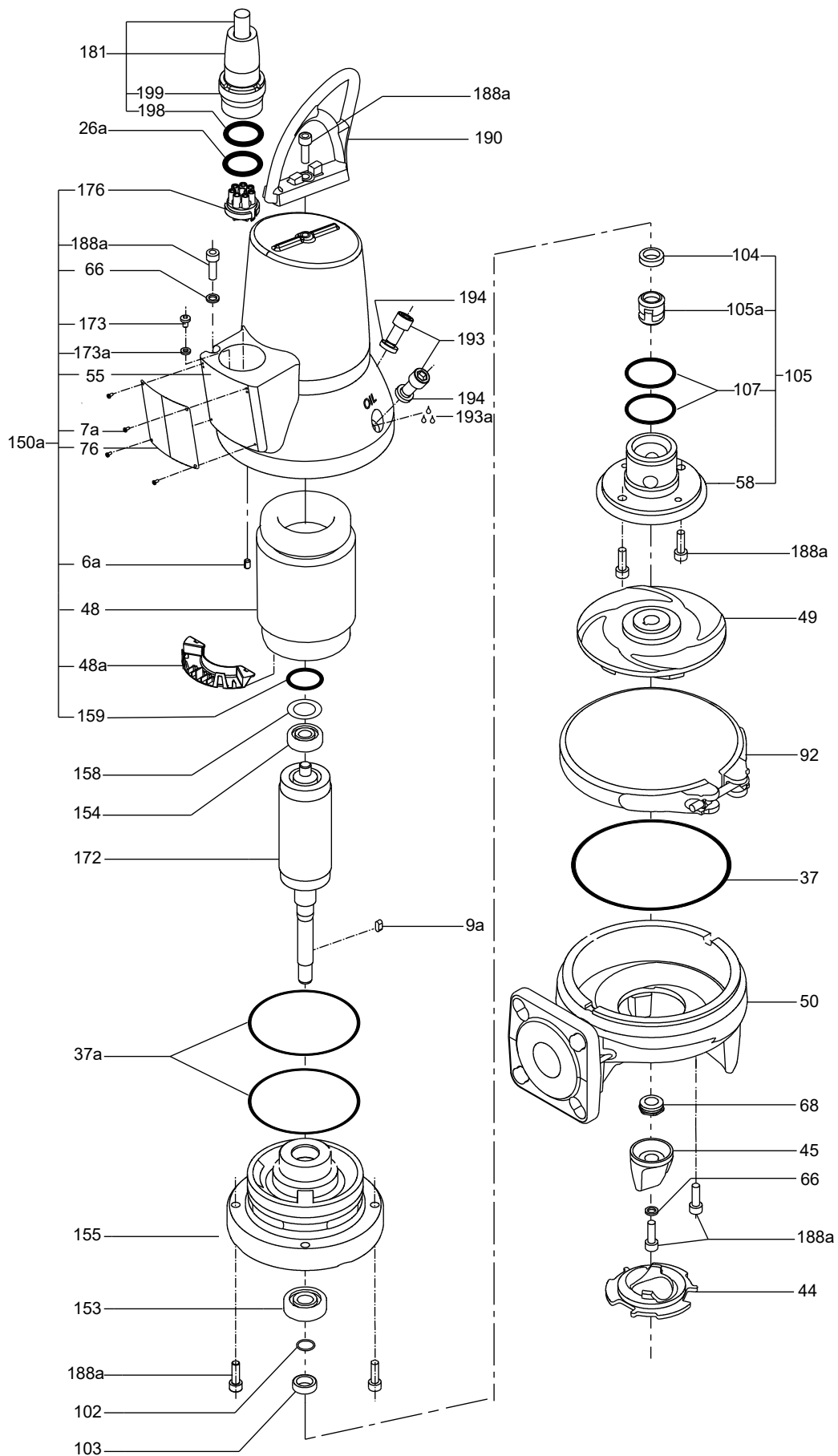
| SEG.(K)50 / SEG.20 | | 2.6 kW / 3.0 hp | | | 3.1 - 4.0 kW / 4.0 - 5.5 hp | | | |
|--------------------|---------------------------|-----------------|----------|----------|-----------------------------|----------|----------|-----------|
| Pos. | Description | DIN | 380 V | 460 V | 200-230 V | 380 V | 460 V | 200-230 V |
| | | | 98451898 | 98451885 | 98451879 | 98451904 | 98451887 | 98451880 |
| | | US | 460 V | 575 V | 200-230 V | 460 V | 575 V | 200-230 V |
| | | | 98451885 | 98451886 | 98451879 | 98451887 | 98451888 | 98451880 |
| 6a | Spring pin | | 1 | 1 | 1 | 1 | 1 | 1 |
| 48 | Stator | | 1 | 1 | 1 | 1 | 1 | 1 |
| 55 | Stator housing | | 1 | 1 | 1 | 1 | 1 | 1 |
| 159 | O-ring NBR | 52.0 x 3.0 | 1 | 1 | 1 | 1 | 1 | 1 |
| 173 | Screw | | 1 | 1 | 1 | 1 | 1 | 1 |
| 173a | Lock washer | | 1 | 1 | 1 | 1 | 1 | 1 |
| 176 | Cable plug | | 1 | 1 | 1 | 1 | 1 | 1 |
| 1031 | Connector pin | | 6 | 6 | 6 | 6 | 6 | 6 |
| - | Cover against sharp edges | | 1 | 1 | 1 | 1 | 1 | 1 |

2.6 to 4.0 kW / 3.0 to 5.5 hp



TM065759

Up to 1.5 kW / 2.0 hp



TM065739

96488862 06.2022

GRUNDFOS Holding A/S
Poul Due Jensens Vej 7
DK-8850 Bjerringbro
Tel: +45 87 50 14 00
www.grundfos.com

GRUNDFOS 