

## 21. CR Tandem

### CR, CRI, CRN 1, 3, 5

#### 50/60 Hz

#### O-ring

Pos.	Description/ kit No	FFKM	FXM
		96533328	96463944
37a	O-ring	2	2
38	O-ring	1	1
100	O-ring	2	2
109a	O-ring	1	-
	O-ring	-	1

#### Sealing

Rubber type	Kit No
EPDM	96533362
FKM	96533363
FFKM	96533364

#### Content

Pos.	Description	Quantity
37a	O-ring	2
37b	O-ring	1
38	O-ring	1
100	O-ring	2
100a	O-ring	4
109a	O-ring	1

#### Shaft seal

Type	Kit No
HUBK	96533322
HUBF	96533323
HUUK	96533324
HUUF	96533325
HQQK	96533326
HQQF	96533327
HQBK	96491375

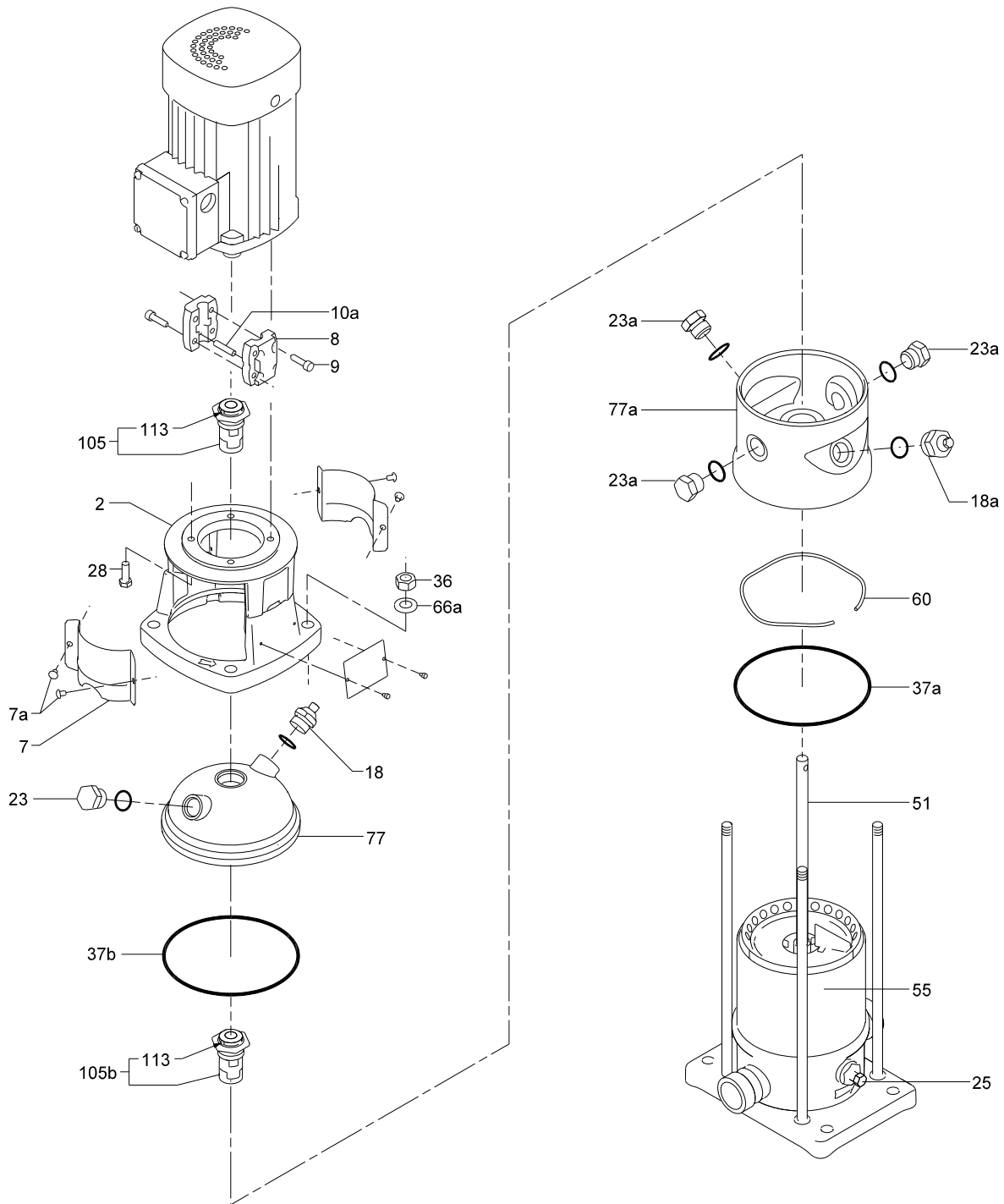
#### Content

Pos.	Description	Quantity
105	Shaft seal	1

#### Shaft seal

Pos.	Description	OQQV
	Kit No	96989183
105b	Shaft seal	1
112a	Driver	1
113	Set screw	2

CR, CRI, CRN 1, 3, 5, Tandem



TM021517

**CR, CRI, CRN 10, 15, 20****O-ring**

Pos.	Description	FFKM	FXM
	Kit No	96533374	96534871
37a	O-ring	2	2
38	O-ring	1	1
38a	O-ring	1	1
100	O-ring	2	2

**O-ring, EPDM**

Pos.	Description	Kit No	96525433
37a	O-ring	EPDM	2
37b	O-ring	EPDM	1
38	O-ring	EPDM	1
38a	O-ring	EPDM	1
39	oval flange CR 10	KLINGERSil C-4430	2
	FGJ flange CR 10		2
	FGJ flange CR 15, 20		2
60	Rubber spring	EPDM	4
100	O-ring	EPDM	2
100a	O-ring	EPDM	2
100b	O-ring	EPDM	2

**O-ring, FKM**

Pos.	Description	Kit No	96525434
37a	O-ring	FKM	2
37b	O-ring	FKM	1
38	O-ring	FKM	1
38a	O-ring	FKM	1
39	oval flange CR 10	KLINGERSil C-4430	2
	FGJ flange CR 10		2
	FGJ flange CR 15, 20		2
60	Rubber spring	FKM	4
100	O-ring	FKM	2
100a	O-ring	FKM	2
100b	O-ring	FKM	2

**O-ring, FFKM/EPDM**

Pos.	Description	Kit No	96525436
37a	O-ring	FFKM	2
37b	O-ring	EPDM	1
38	O-ring	FFKM	1
38a	O-ring	FFKM	1

Pos.	Description	Kit No	96525436
39	oval flange CR 10	KLINGERSil C-4430	2
	FGJ flange CR 10		2
	FGJ flange CR 15, 20		2
60	Rubber spring	PTFE	4
100	O-ring	EPDM	1
100a	O-ring	FFKM	2
100b	O-ring	EPDM	2

**O-ring, FFKM/FKM**

Pos.	Description	Kit No	96525436
37a	O-ring	FFKM	2
37b	O-ring	FKM	1
38	O-ring	FFKM	1
38a	O-ring	FFKM	1
39	oval flange CR 10	KLINGERSil C-4430	2
	FGJ flange CR 10		2
	FGJ flange CR 15, 20		2
60	Rubber spring	PTFE	4
100	O-ring	FKM	1
100a	O-ring	FFKM	2
100b	O-ring	FKM	2

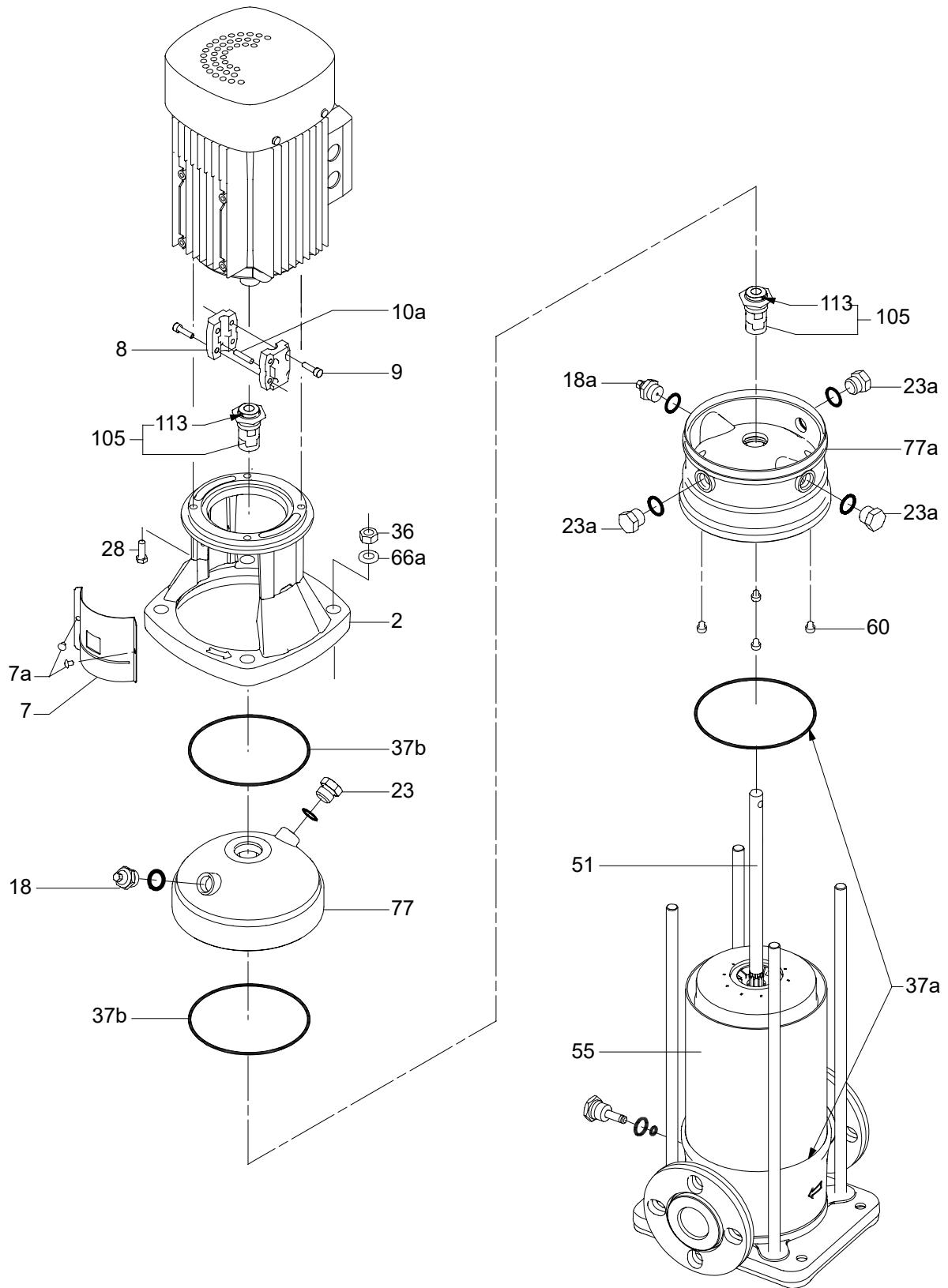
**Shaft seal**

Type	Kit No
HQQE	96511844
HQQV	96511845
HQQK	96511846
HQQF	96511847
HUBK	96511838
HUUV	96511841
HUUK	96511842
HUUF	96511843

**Content**

Pos.	Description	Quantity
105	Shaft seal	1
-	Adjusting fork	1

CR, CRI, CRN 10, 15, 20, Tandem

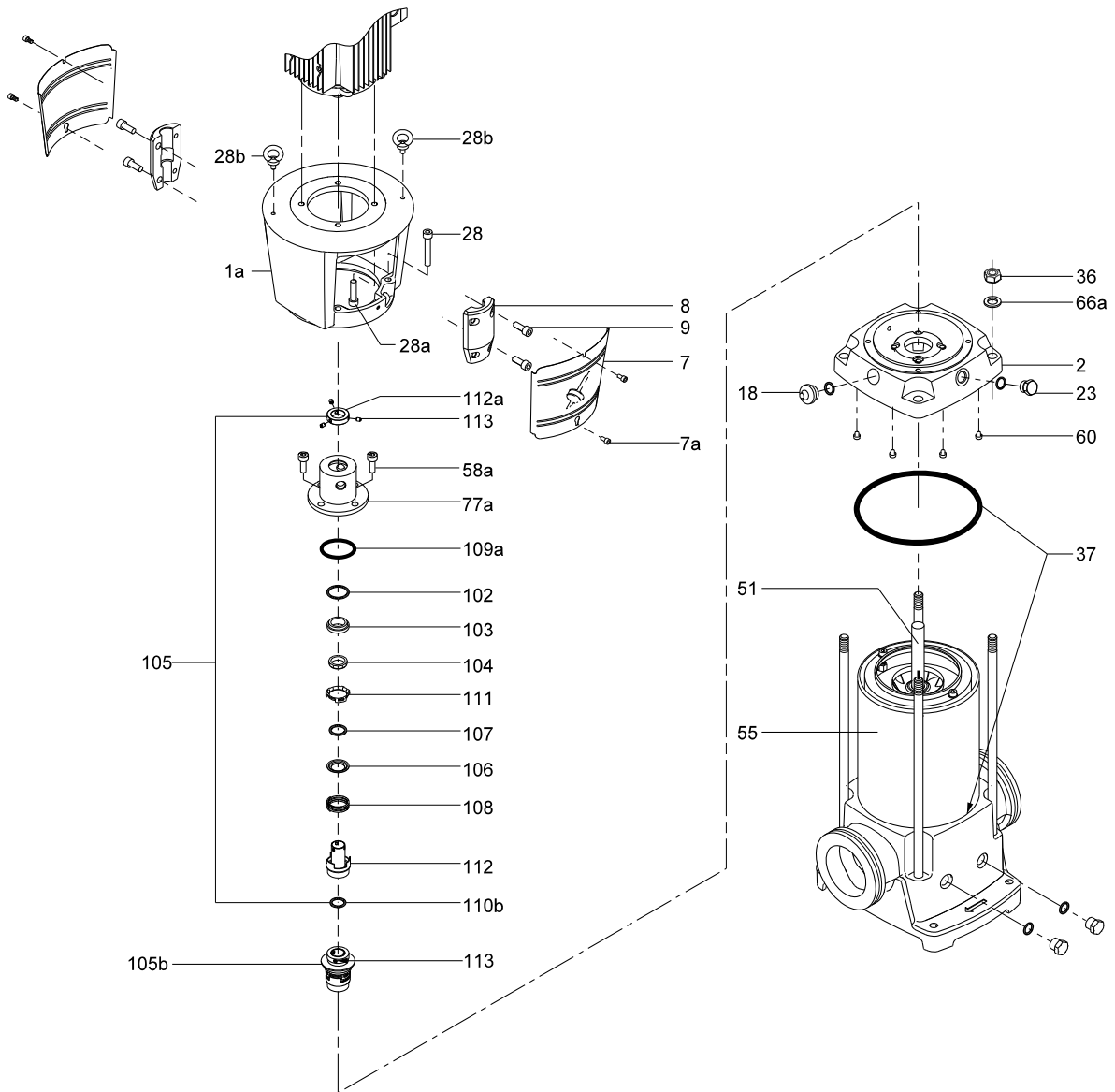


TM027822

**CR, CRI, CRN 32, 45, 64, 90****Shaft seal**

Pos.	Description/ Kit No	96578599
102	O-ring EPDM	1
	O-ring FKM	1
103	Seal ring, upper	1
104	Seal ring rotating	1
106	Spring retainer	1
107	O-ring EPDM	1
	O-ring FKM	1
108	Compression spring	1
105	O-ring EPDM	1
	O-ring FKM	1
109a	O-ring EPDM	1
	O-ring FKM	1
110b	O-ring EPDM	1
	O-ring FKM	1
111	Upper driver	1
112	Seal driver	1
112a	Driving ring	1
113	Socket set screw	1
-	Adjusting fork	1

CR, CRI, CRN 32, 45, 64, 90 Tandem



TM057648

**CR, CRI, CRN 32, 45, 64, 90, model B****O-ring, CR(N) 32**

Pos.	Kit No		98593542	98593544	98593547	98593549
	Description	Rubber	EPDM	FKM	FXM	FFKM
	O-ring	EPDM	2			
		FKM		2		
		FXM				2
		FFKM				
	O-ring	EPDM	1			
		FKM		1		
		FXM			1	1
	O-ring	EPDM	2			
		FKM		2		
		FXM				2
		FFKM				
	O-ring	EPDM	2			
		FKM		2		
		FXM				2
		FFKM				
	O-ring	EPDM	2			
		FKM		2		
		FXM				2
		FFKM				
	O-ring	EPDM	4			
		FKM		4		
		FXM				4
		FFKM				
	Spring	PTFE	4	4	4	4
	Adjusting fork		2	2	2	2

**O-ring, CR(N) 45, 64**

Pos.	Kit No		98593566	98593568	98593592	98593593
	Description	Rubber	EPDM	FKM	FXM	FFKM
	O-ring	EPDM	2			
		FKM		2		
		FXM				2
		FFKM				
	O-ring	EPDM	1			
		FKM		1		
		FXM			1	1
	O-ring	EPDM	2			
		FKM		2		
		FXM			2	
		FFKM				
	O-ring	EPDM	2			
		FKM		2		
		FXM			2	
		FFKM				
	O-ring	EPDM	2			
		FKM		2		
		FXM			2	2
		FFKM				
	O-ring	EPDM	4			
		FKM		4		
		FXM			4	
		FFKM				
	Spring	PTFE	4	4	4	4
	Adjusting fork		2	2	2	2



**O-ring, CR(N) 90**

Pos.	Kit No		98593611	98593612	98593615	98593616
	Description	Rubber	EPDM	FKM	FXM	FFKM
	O-ring	EPDM	2			
		FKM		2		
		FXM				2
		FFKM				
	O-ring	EPDM	1			
		FKM		1		
		FXM			1	1
	O-ring	EPDM	2			
		FKM		2		
		FXM			2	
		FFKM				2
	O-ring	EPDM	2			
		FKM		2		
		FXM			2	
		FFKM				2
	O-ring	EPDM	2			
		FKM		2		
		FXM			2	2
		FFKM				
	O-ring	EPDM	4			
		FKM		4		
		FXM			4	
		FFKM				4
	Spring	PTFE	4	4	4	4
	Adjusting fork		2	2	2	2

**Plug**

Pos.	Description/ Kit No	98593644
	Plug	2
	Air vent screw	1
	Plug	1
	O-ring	4
	O-ring	4
	O-ring	4

**Cover**

Pos.	Description/ Kit No	98593648
	Cover N	1
	Cap Screw	4

96488862 06.2022

**GRUNDFOS Holding A/S**  
Poul Due Jensens Vej 7  
DK-8850 Bjerringbro  
Tel: +45 87 50 14 00  
[www.grundfos.com](http://www.grundfos.com)

**GRUNDFOS** 