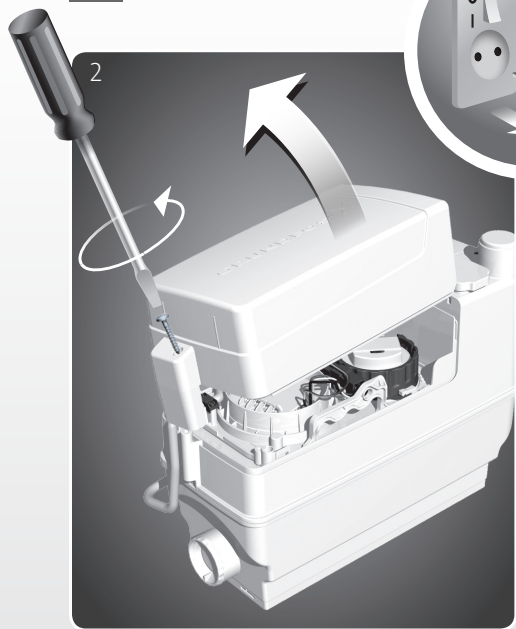


Sololift2 C-3

PRESSURE SWITCH



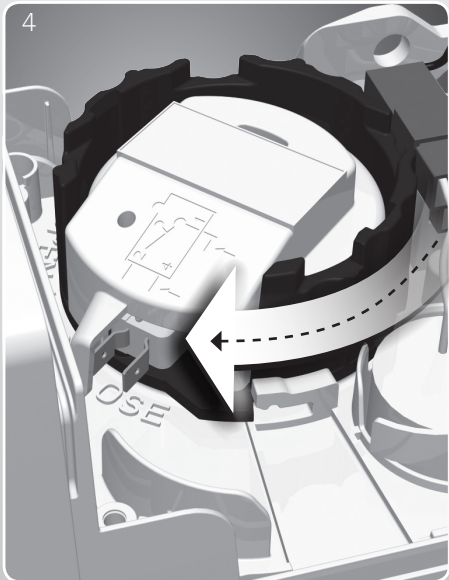
2



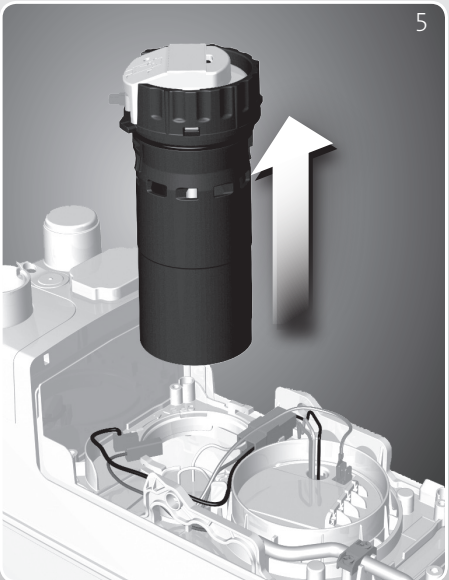
3

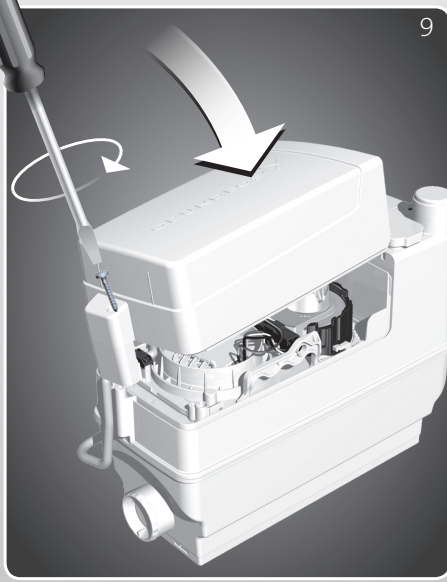
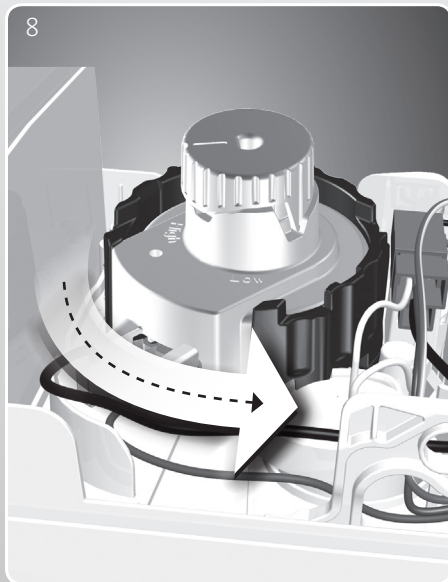
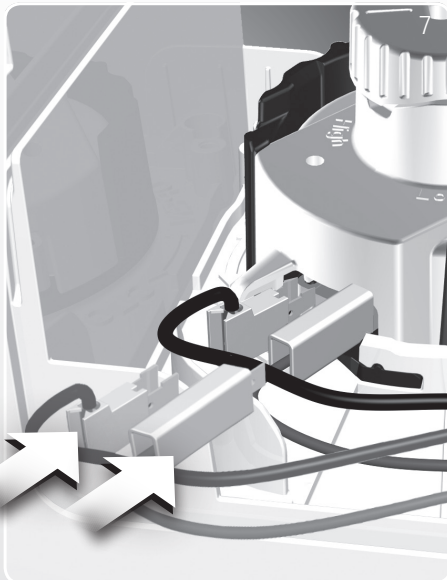
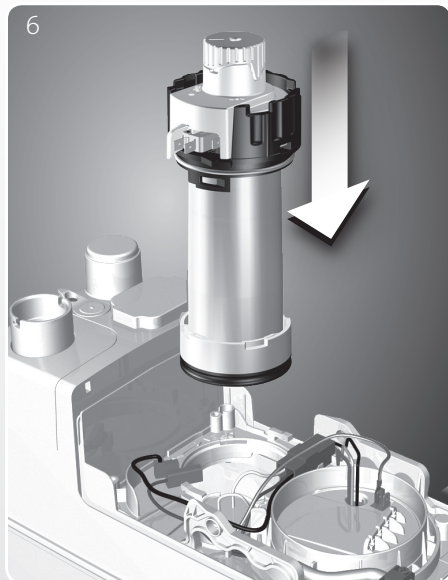


4



5





GRUNDFOS Holding A/S

Poul Due Jensens Vej 7

DK-8850 Bjerringbro

Tel: +45 87 50 14 00

www.grundfos.com

98144462 0915

ECM: 1166080

The name Grundfos, the Grundfos logo, and the payoff Be—Think—Innovate are registered trademarks owned by Grundfos Management A/S or Grundfos A/S, Denmark. All rights reserved worldwide.

be think innovate

GRUNDFOS 