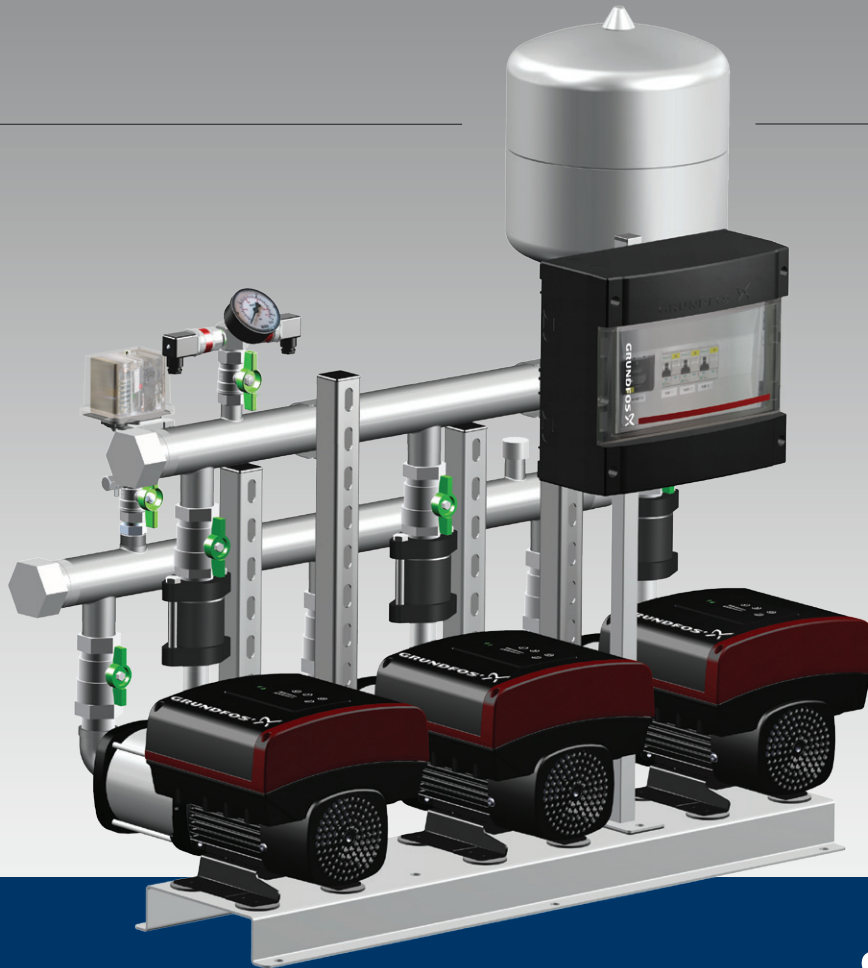


GRUNDFOS INSTRUCTIONS

Hydro Multi-E

CME

 GRUNDFOS
PRESSURE BOOSTING

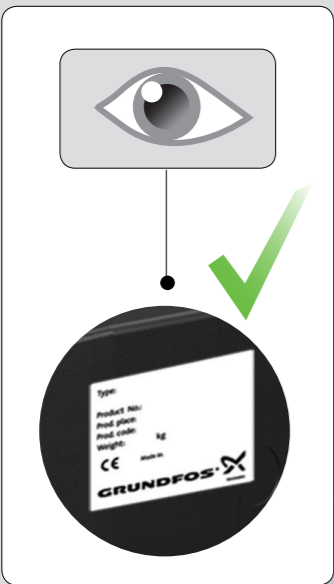


be think innovate

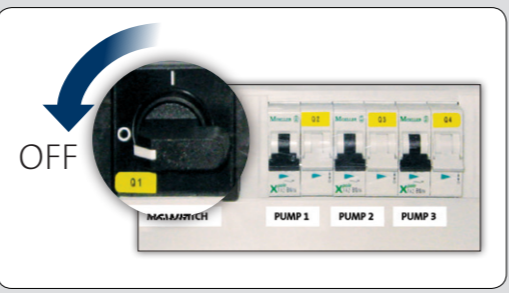
GRUNDFOS 



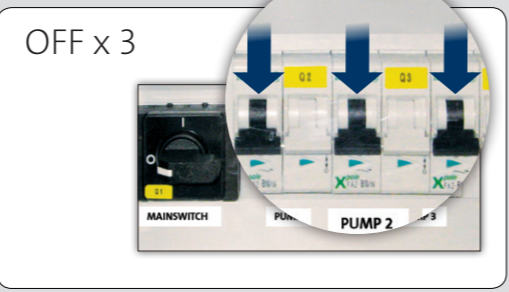
1



2



3



4

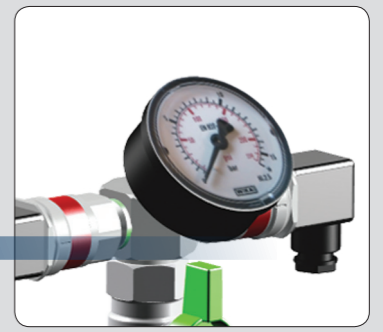
Factory settings	
Date	Setting (SP)

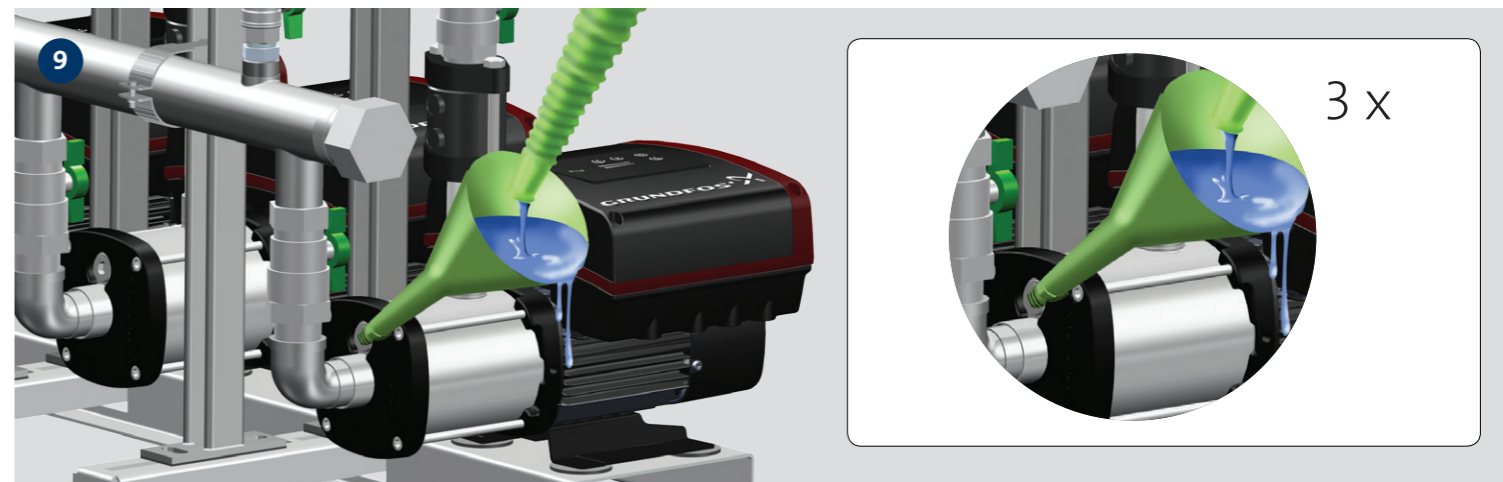
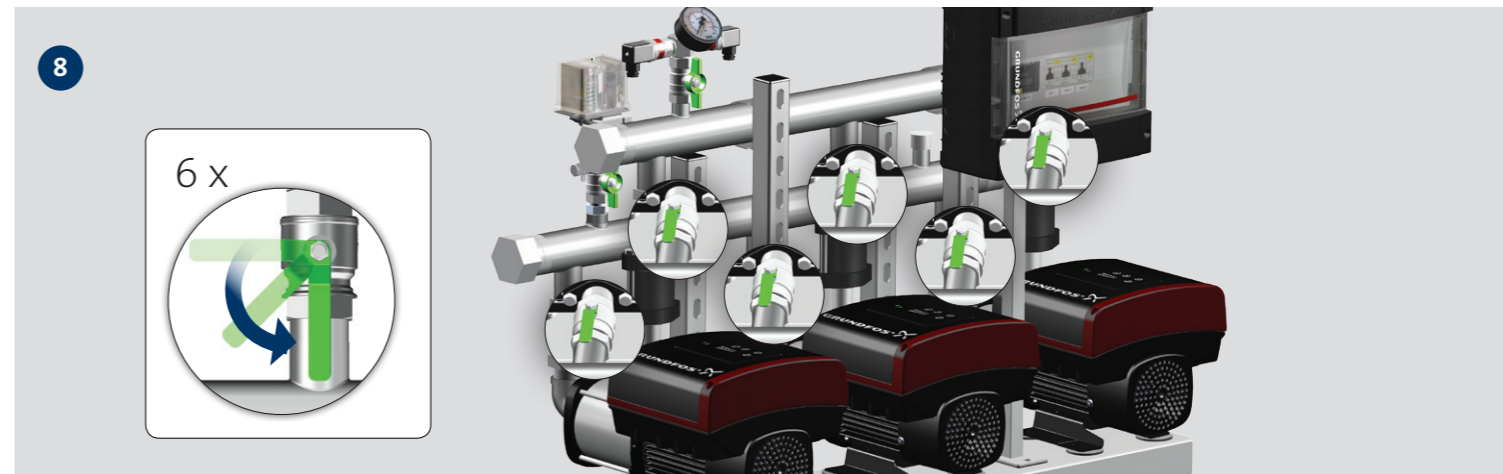
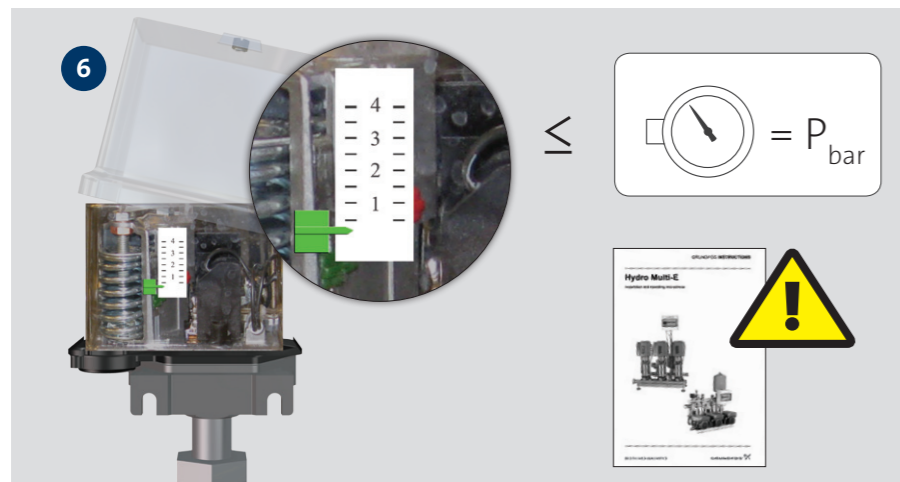
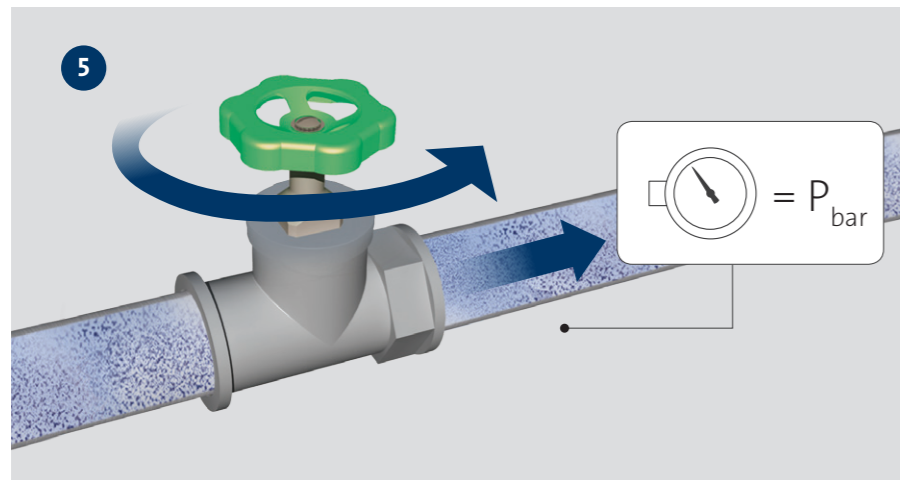
Customer settings		
Date	Setting (SP)	Initials

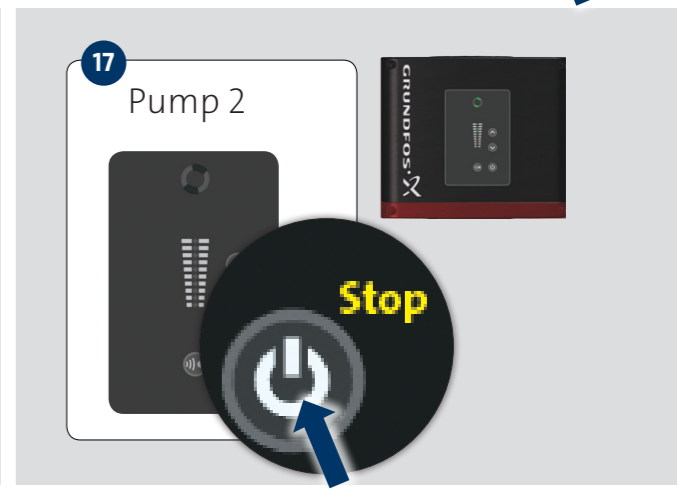
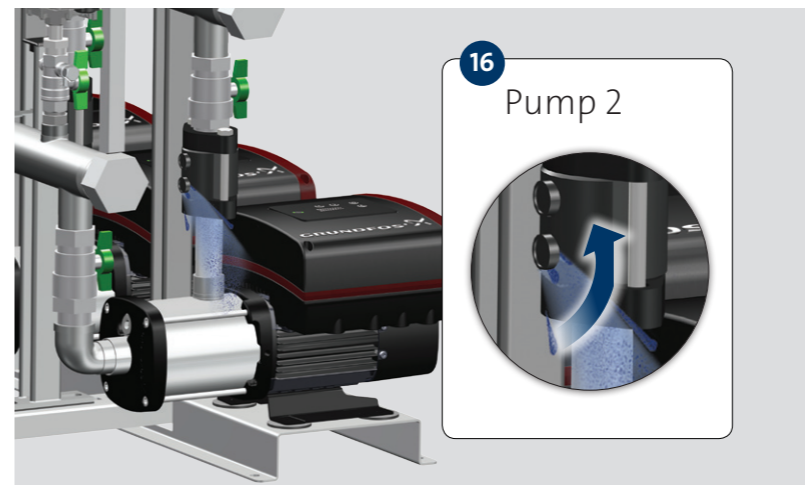
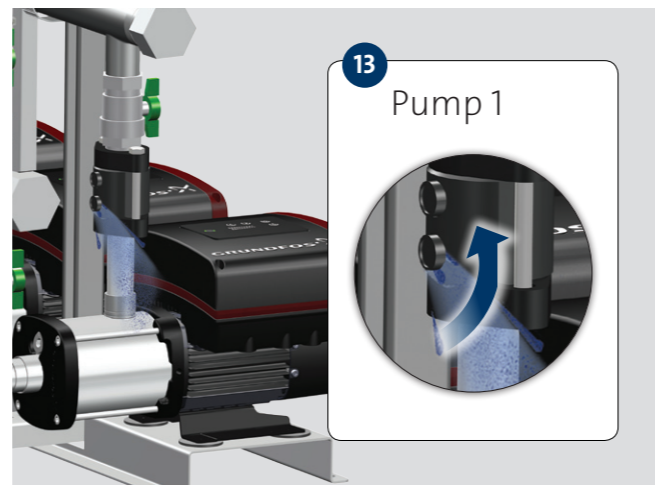
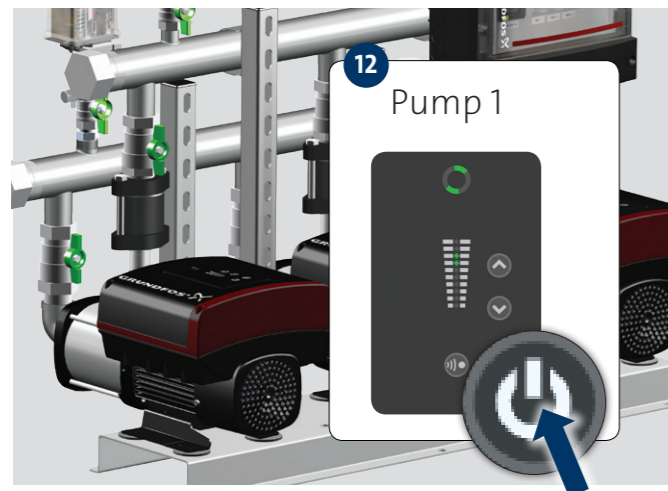
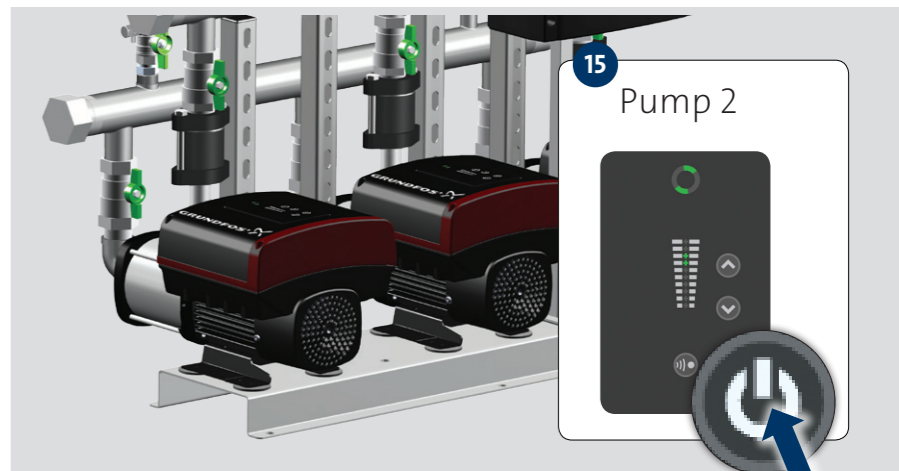
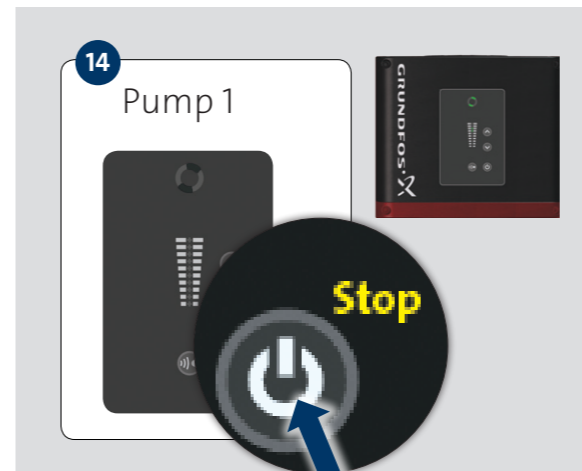
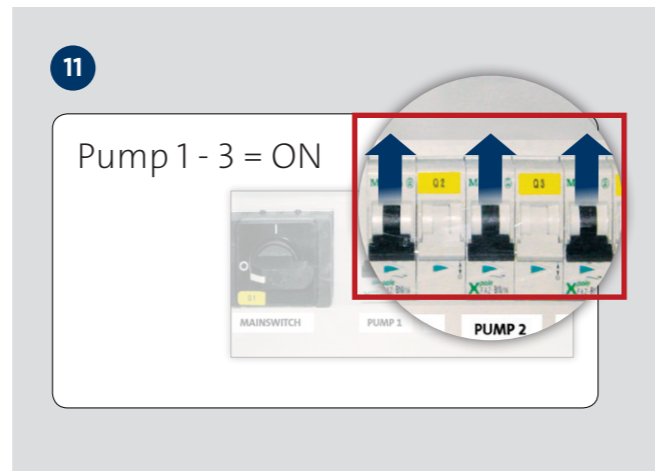


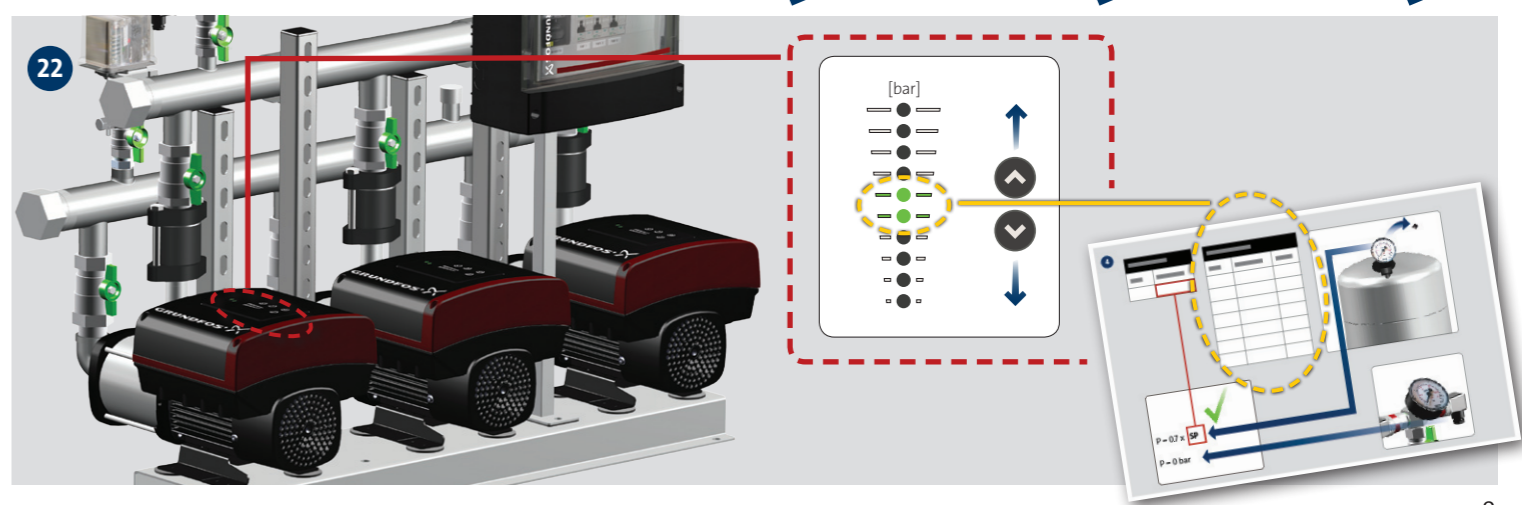
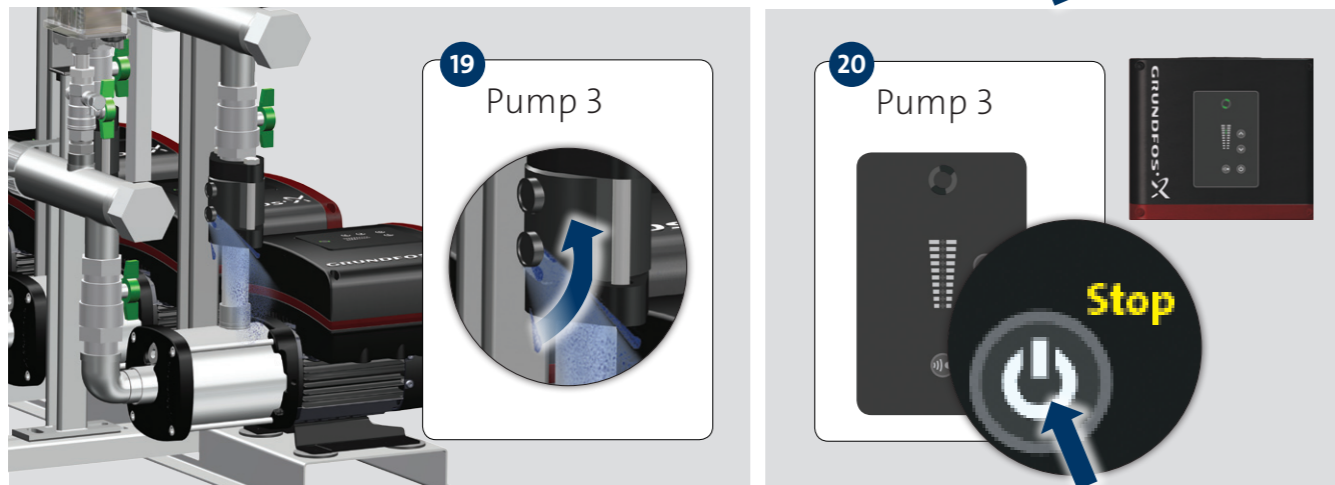
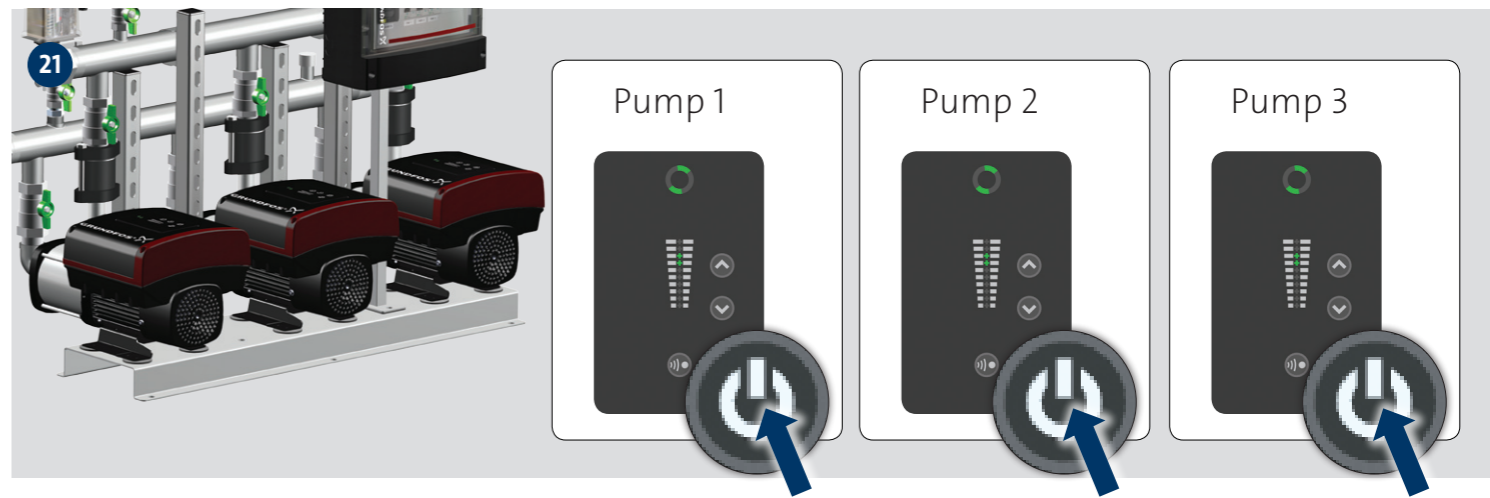
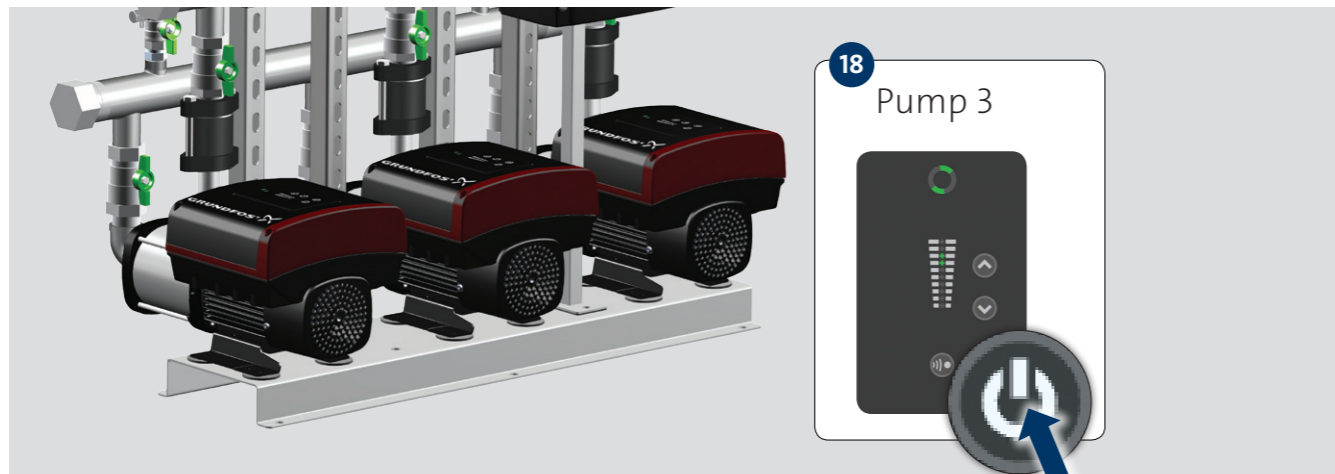
$P = 0.7 \times \text{SP}$

$P = 0 \text{ bar}$



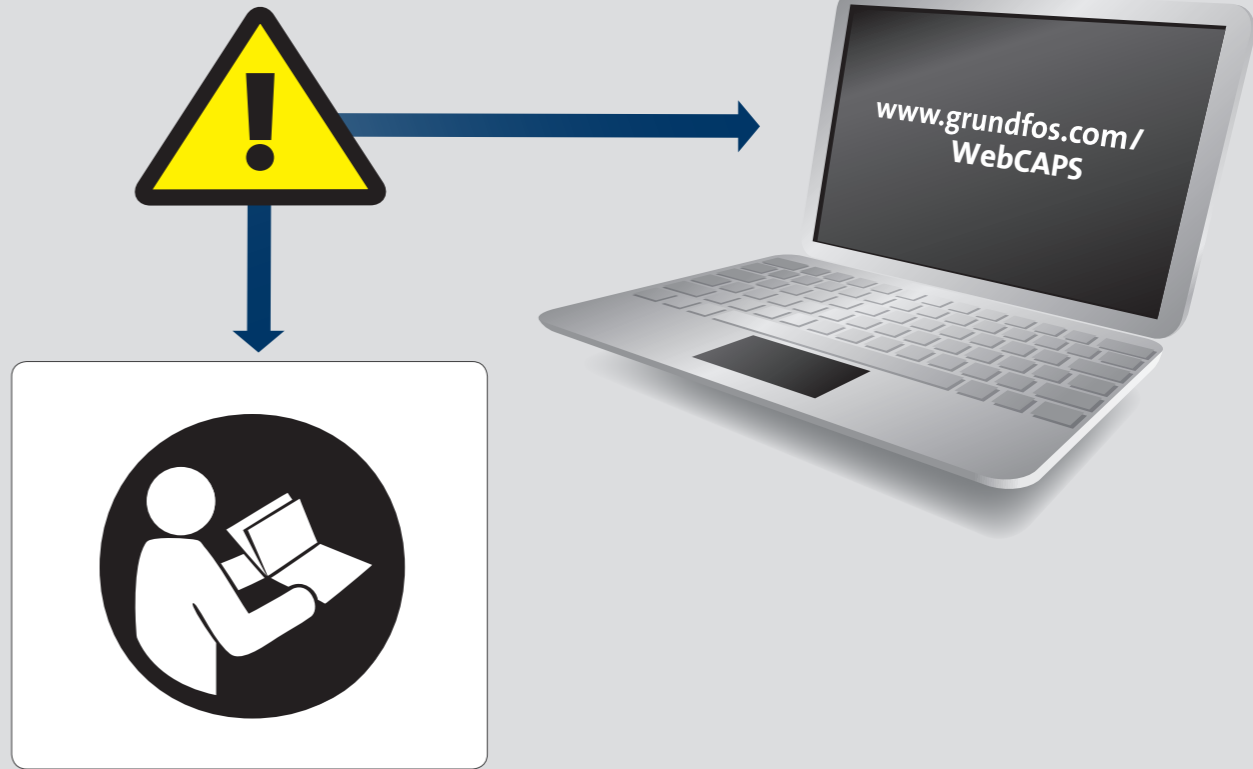
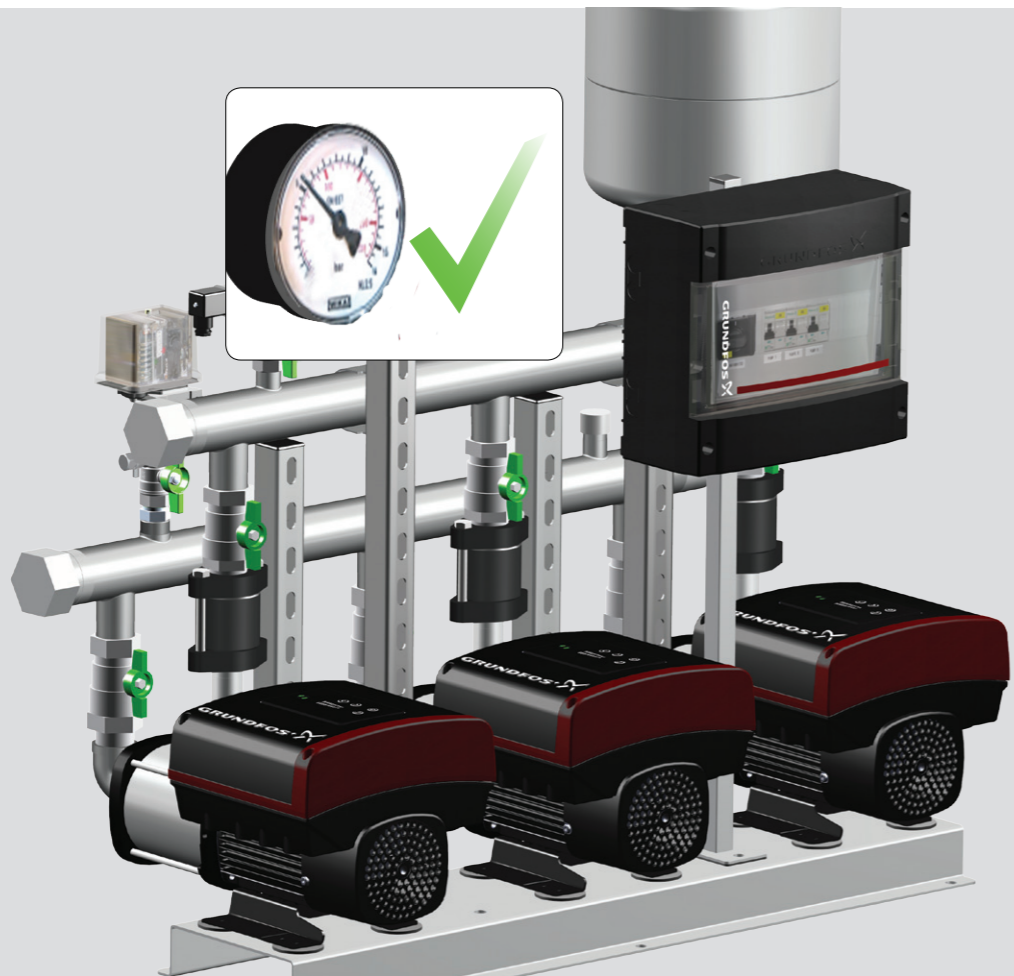








23



98477597 0813

ECM: 1117626

be think innovate

GRUNDFOS 

The name Grundfos, the Grundfos logo, and the phrase be think innovate, are registered trademarks owned by Grundfos Holding A/S or Grundfos A/S, Denmark. All rights reserved worldwide.